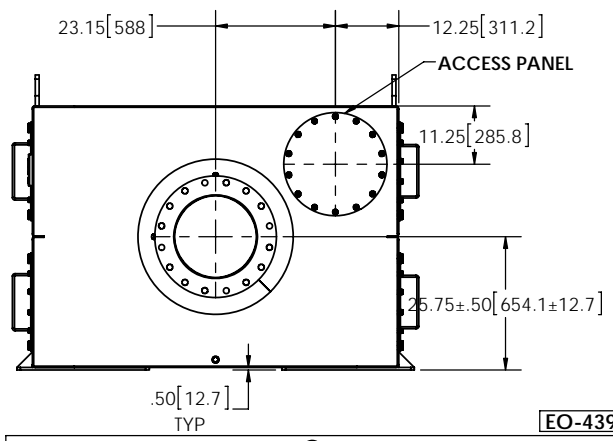
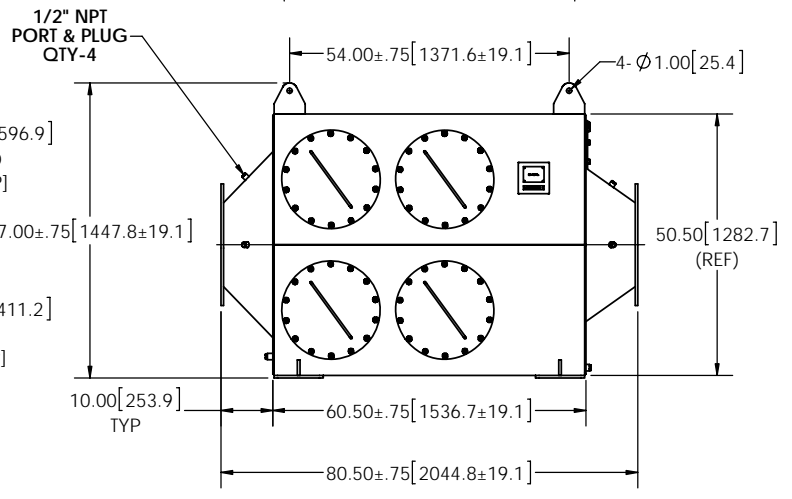
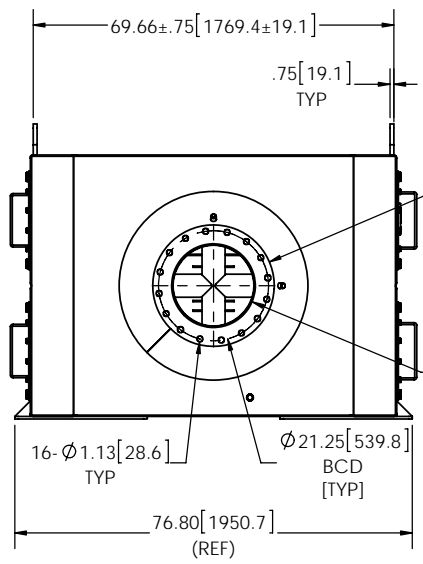
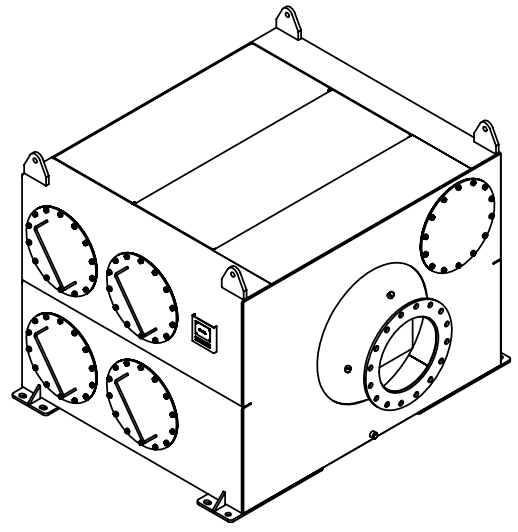
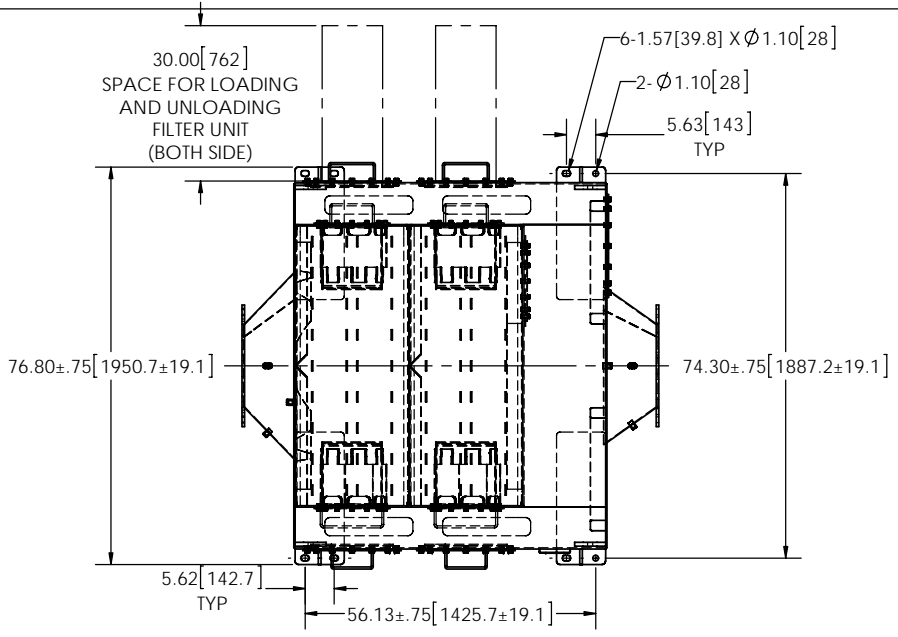


DCL INTERNATIONAL RESERVES THE RIGHT TO REVISE THE INTERNAL DESIGN WITHOUT NOTICE



EO-4396



UNLESS OTHERWISE NOTED		DCL INTERNATIONAL INC. RESERVES PROPRIETARY RIGHTS TO THIS DRAWING AND THE DATA SHOWN THEREON AND SUBMITS IT IN CONFIDENCE ONLY. SAID DATA AND/OR DRAWING ARE NOT TO BE USED OR REPRODUCED FOR ANY PURPOSE WITHOUT THE EXPRESS CONSENT OF DCL INTERNATIONAL INC.	
1. REMOVE ALL BURRS AND SHARP EDGES		TITLE: 8-DCF2X2X2-16 MINE-X SOOTFILTER	
2. DIMENSIONS ARE IN INCHES		ORIG. P/N:	
3. [] DIMENSIONS ARE IN MILLIMETERS		APPLICATION:	
TOLERANCES		ENGINE:	
X ±.2 [] ±.5		DATE: 10/12/17	
.XX ±.10 [X] ±.25		DRAWN BY: VA	
.XXX ±.060 [XX] ±1.50		CHECKED BY:	
ANGULAR TOLERANCE ±2°		PART NO. B906-FF-5E53-28	
THIRD ANGLE PROJECTION		PAPER SIZE:	
DATE: 10/12/17		SCALE:	
NO		FILE NAME: B906-FFS-5E53-28	

A	ADDED HANDLE	AG	11/01/17
0	INITIAL RELEASE	VA	10/12/17
NO	REVISION	DRAWN BY	YY/MM/DD
		CHK'D BY	