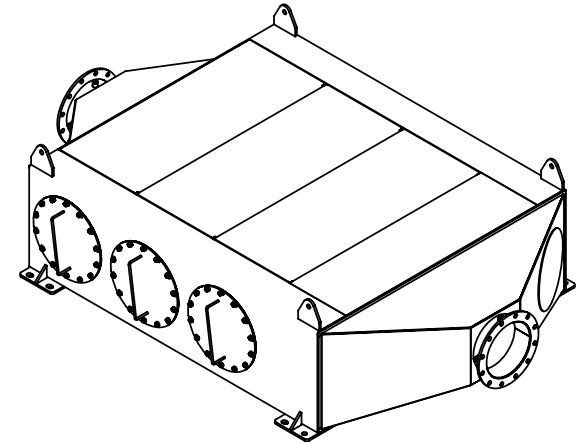
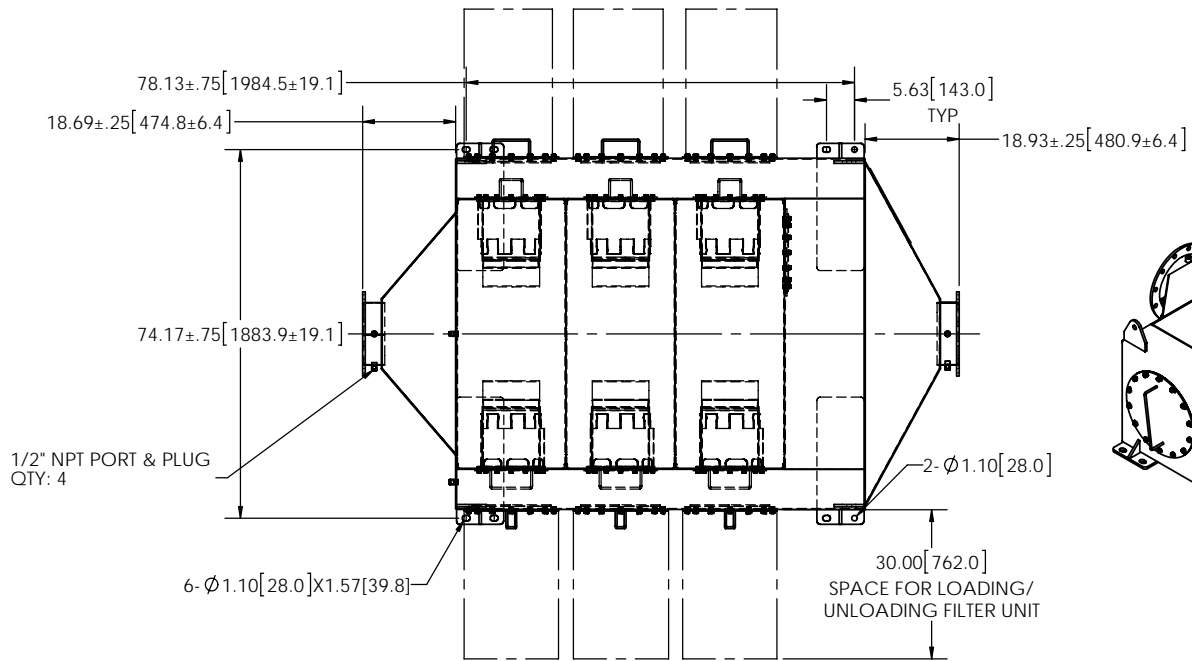
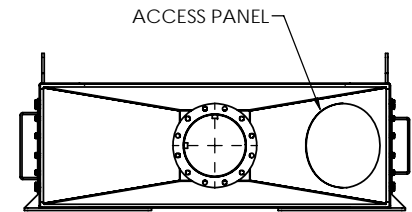
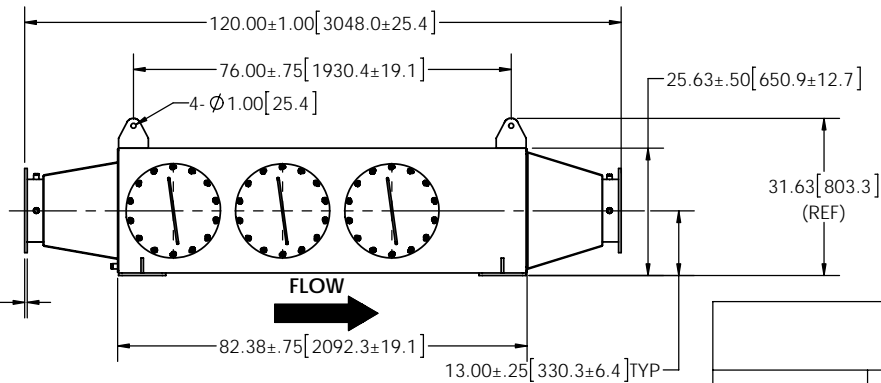
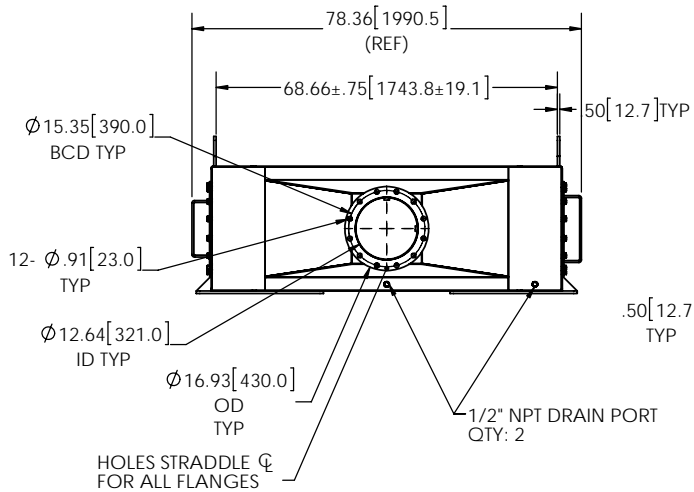


DCL INTERNATIONAL RESERVES THE RIGHT TO REVISE THE INTERNAL DESIGN WITHOUT NOTICE



TOTAL WEIGHT APPROX.: 2500 LBS  
 FILTER ASSEMBLY WEIGHT EACH APPROX. : 50 LBS



UNLESS OTHERWISE NOTED

- REMOVE ALL BURRS AND SHARP EDGES
- DIMENSIONS ARE IN INCHES
- IF DIMENSIONS ARE IN MILLIMETERS  
 TOLERANCES  
 X ± .2 [ ] ± .5  
 XX ± .10 [ X ] ± 2.5  
 XXX ± .060 [ XX ] ± 1.50  
 ANGULAR TOLERANCE ± 2°

DCL INTERNATIONAL INC. RESERVES PROPRIETARY RIGHTS TO THIS DRAWING AND THE DATA SHOWN THEREON AND SUBMITS IT IN CONFIDENCE ONLY. SAID DATA AND/OR DRAWING ARE NOT TO BE USED OR REPRODUCED FOR ANY PURPOSE WITHOUT THE EXPRESS CONSENT OF DCL INTERNATIONAL INC.

TITLE: **6-DLT4.9-12 MINE-X SOOTFILTER** ORIG. P/N:

APPLICATION: ENGINE:

DATE: **11/06/30** DRAWN BY: **AG** CHECKED BY: PART NO.

PAPER SIZE: SCALE: **1:32** FILE NAME: **B915-FFS-5E53-26**

0	INITIAL RELEASE	AG	11/06/30	
NO	REVISION	DRAWN BY	DATE	CHK'D BY

